

# 12zT



Concrete solutions. Always.

**Engine D722**

**Engine power 10,2 kW - 13,7 HP**

**Operating Weight 1.160 kg**

 **EUROCOMACH®**

# 12ZT

|   |      |   |
|---|------|---|
| Operating weight with canopy              | kg   | 1.160   |
| Operating weight with canopy and ABS roof | kg   | 1.185   |
| Travelling speed                          | km/h | 1 <sup>a</sup> : 0 ÷ 1,8 / 2 <sup>a</sup> : 0 ÷ 3,8 |
| Slew speed                                | rpm  | 9,5   |

## ENGINE

|                       |                       |             |
|-----------------------|-----------------------|-------------|
| Type                  | KUBOTA D722 - STAGE 5 |             |
| Max Power (2.350 rpm) | kW - HP               | 10,2 - 13,7 |
| Displacement          | cc                    | 719         |
| Number of cylinders   | n°                    | 3           |
| Cooling               | water                 |             |
| Consumption           | lt/h                  | 1,8         |
| Alternator            | V (A)                 | 12 (40)     |
| Battery               | V (Ah)                | 12 (45)     |

## HYDRAULIC SYSTEM

|                                   |                |           |
|-----------------------------------|----------------|-----------|
| Pump type                         | n°2 gear pumps |           |
| Pump displacement                 | cc             | 5,5 + 5,5 |
| Pump capacity                     | lt/min         | 26        |
| Max. circuit calibration pressure | bar            | 165       |
| Auxiliary system:                 | Max capacity   | lt/min    |
|                                   | Max pressure   | bar       |
|                                   |                | 26        |
|                                   |                | 165       |

## PERFORMANCES

|  |                    |               |
|--|--------------------|---------------|
| Max digging depth standard arm (optional arm)  | mm                 | 1.860 (1.980) |
| Max dumping height standard arm (optional arm) | mm                 | 2.130 (2.215) |
| Bucket breaking force (standard arm) ISO 6015  | daN                | 1.150         |
| Arm breaking force (standard arm) ISO 6015     | daN                | 690           |
| Traction force                                 | daN                | 1.000         |
| Ground bearing pressure with folding bar       | kg/cm <sup>2</sup> | 0,29(0,30)    |
| Max slope                                      | 60% - 30°          |               |

## DIMENSIONS

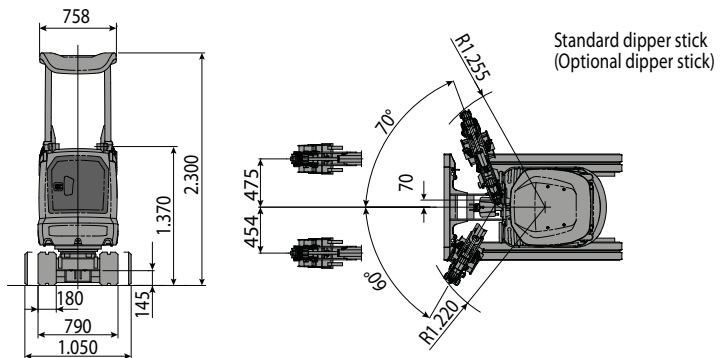
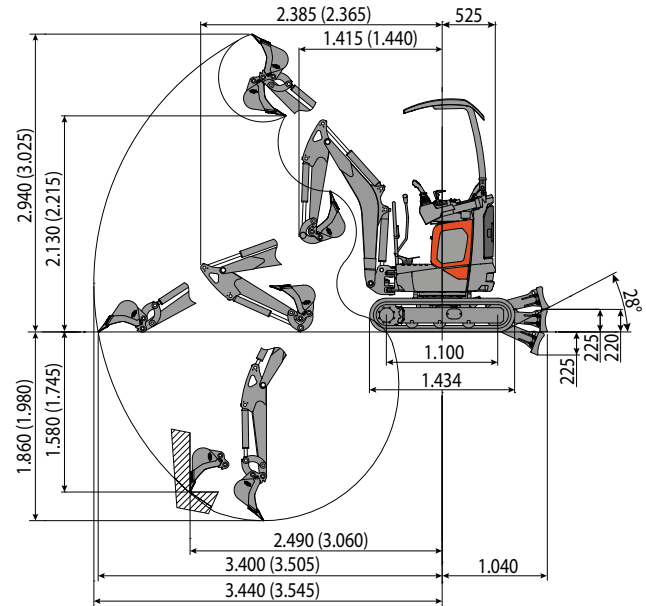
|                                   |    |             |
|-----------------------------------|----|-------------|
| Maximum width                     | mm | 790 - 1.050 |
| Total height                      | mm | 2.300       |
| Rear rotation radius              | mm | 525         |
| Digging arm length std (optional) | mm | 900 (1.020) |
| Tracks width                      | mm | 180         |
| Rollers number (for each side)    | n° | 3           |

## FILLINGS

|                            |    |      |
|----------------------------|----|------|
| Fuel tank                  | lt | 14,5 |
| Hydraulic oil tank         | lt | 9,5  |
| Hydraulic circuit capacity | lt | 15   |
| Cooling system capacity    | lt | 6    |
| Engine oil                 | lt | 1,8  |

## CONTROLS

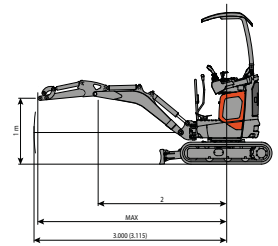
|   |  |
|---|--|
| Boom, dipper stick, bucket and turret swing | 2 pilot joysticks                            |
| Track movements (included counter rotation) | 2 pilot levers                               |
| Dozer blade                                 | pilot lever                                  |
| Auxiliary circuit (simple or double effect) | electroproportional switch on right joystick |
| Boom swing                                  | electroproportional switch on left joystick  |



## LIFTING CAPACITY

Opening arm from the rotation's center (m)  
Lifting capacity (ton) at 1.0 m height

|                                 | 2    | MAX  |
|---------------------------------|------|------|
| Frontal and lowered dozer blade | 0,26 | 0,14 |
| Frontal and lifted dozer blade  | 0,26 | 0,14 |
| Lateral, open undercarriage     | 0,25 | 0,12 |



The lifting capacity is based on the ISO 10567 and it does not exceed more than the 75% of static tipping load or more than the 87% of the hydraulic lifting capacity of the machine.

 **EUROCOMACH®**