

The Liugong series of logos herein, including but not limited to word marks, device marks, letter of alphabet marks and combination marks, as the registered trademarks of Guangxi Liugong Group Co., Ltd. are used by Guangxi Liugong Machinery Co., Ltd. with legal permission, and shall not be used without permission. Specifications and designs are subject to change without notice. Machines shown may include optional equipment and may not include all standard equipment.

Engine	Yanmar 4TNV98C-PLYS
Gross Power	49.9 kW (67 hp) @ 2,400 rpm
Rated Load	865 kg
Bucket Capacity	0.4 m ³
Operating Weight	3,100 kg

CLG375B

SKID STEER LOADER



Guangxi Liugong Machinery Co., Ltd.
No. 1 Liutai Road, Liuzhou, Guangxi 545007, P.R. China
T: +86 772 388 6124 E: overseas@liugong.com
www.liugong.com

Like and follow us:



07/2014 Designed by LiuGong

TOUGH WORLD. TOUGH EQUIPMENT.

SUMMARIZED BENEFITS

ALWAYS RELIABLE

High quality components for tough work.
Extremely durable stable frame well suited for excavating.
4 wheel drive provides an excellent traction.

OPERATOR COMFORT

Adjustable seat with safety belt and shock absorption.
Optimized instrument panel includes radio with MP3, air conditioning, fuel meter and other control buttons.

HIGH EFFICIENCY

Self-leveling linkage to reduce the leveling time.
Four forward gears. High speed.
Small turning radius.

HIGHEST SAFETY STANDARDS

FOPS & ROPS cabin.
Vacuum tyre.
Hydraulic service brake.
Back-up buzzer.

DAILY MAINTENANCE

Maintenance ports for the hydraulic system on the 375B have been placed in convenient locations for quick inspection so you spend less time working on your machine, and have more time having your machine work for you.
Radiator for cooling water and hydraulic oil are located in the front of machine to be easy to maintain and check daily.

ALWAYS RELIABLE

DURABLE COMPONENTS

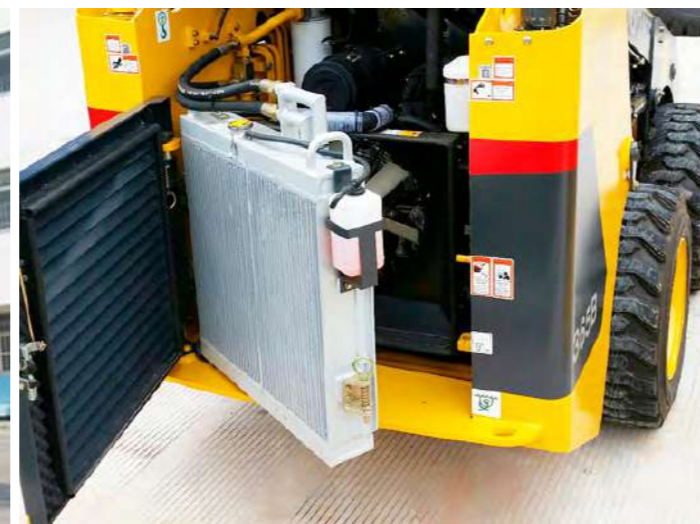
Stainless steel exhaust pipe. Industry used durable tire.
4 wheel drive provides an excellent traction. Optional Carraro front axle.
A world-class Donaldson air filter.

HIGH EFFICIENT COOLING SYSTEM

A powerful big engine fan can provide strong wind.
Larger diameter for parts and conducts prevents overheating and improves reliability.
The independent power relay system also works to stop overheating with the heavy current from the power relay.

RELIABLE DESIGN

Fuses box protects the electric system from being burnt.
Extremely durable stable frame well suited for excavating.
Trapezoid box frame designed for high power and good stability handles shocks and torsion well and works well for high frequency rock breaking.



CONSTRUCTION EQUIPMENT AHEAD

EQUIPMENT
INTRODUCTION >>>



SUMMARIZED BENEFITS

ALWAYS RELIABLE

High quality components.
Reliable brake
Durable frame
High-efficiency filter

OPERATOR COMFORT

Entire machine situations are in control
Common used function is convenient to reach
The temperature can be adjusted by AC and there are 4 stages to choose.
Adjustable seat with shock absorption. Optional CE-seat.
Ergonomic control joysticks.

HIGH EFFICIENCY

High flow hydraulic system

Self-leveling function
Solid tires
Common used coupler

HIGHEST SAFETY STANDARDS

Vacuum tyre.
Mechanical parking brake
ROPS/FOPS cab.
daily maintenance
The cab tilt back up to over 80 degrees to replace the engine oil filter and hydraulic oil filter.
Convenient for daily checking and servicing for hydraulic system. Air filter , water tank, fuel filler and hydraulic oil filler are in reach only by opening the back hood.

ALWAYS RELIABLE

HIGH QUALITY COMPONENTS

International brand engine
International brand double piston pump and motor for travelling
International brand gear pump and triple electric control valve for working

RELIABLE BRAKE

Standard hydraulic braking : the travelling motor will automatically lock after an engine flame out.

DURABLE FRAME

Monoblock frame has a good stability and high strength.Box frame of boom has a higher strength, lower weight and extreme durability.

HIGH-EFFICIENCY FILTER

The filter can remove over 90% of dust and impurities, reducing engine wear and fuel consumption while extending engine service life and improving engine efficiency.



HIGH WORK EFFICIENCY

HIGH FLOW HYDRAULIC SYSTEM

Optional high flow hydraulic system makes the total flow a third growth so that trencher and Cold Planer are available.

SELF-LEVELING FUNCTION

Self-leveling valve to level the bucket so that pallet fork is available.

SOLID TIRES

Solid tire to low the height of SSL for small space work.

COMMONLY USED COUPLER

Most manufactures' attachments are available by using a commonly used coupler.

OPERATOR COMFORT

COMFORT OPERATING CONDITION

The temperature can be adjusted by AC system, and can absorb fresh air from outside.

Adjustable seat with shock absorption. Optional CE-seat. Ergonomic control joysticks.

Easy-Pull, Easy-Secure side windows. Optional radio

CONSOLE & SWITCHES

Everything you need is all in reach and view in the LiuGong cab, and adjustable seat with shock absorption is very comfortable to seat. The consoles and switches are conveniently located right where you want them, with your ergonomic comfort in mind. The consoles and switches are also built with quality for durability and long life.

COMMON USED FUNCTIONS ARE CONVENIENT TO REACH

Windscreen wiper, horn, turn light and accelerator which are used frequently are easy to operate.

ENTIRE MACHINE SITUATIONS ARE IN CONTROL

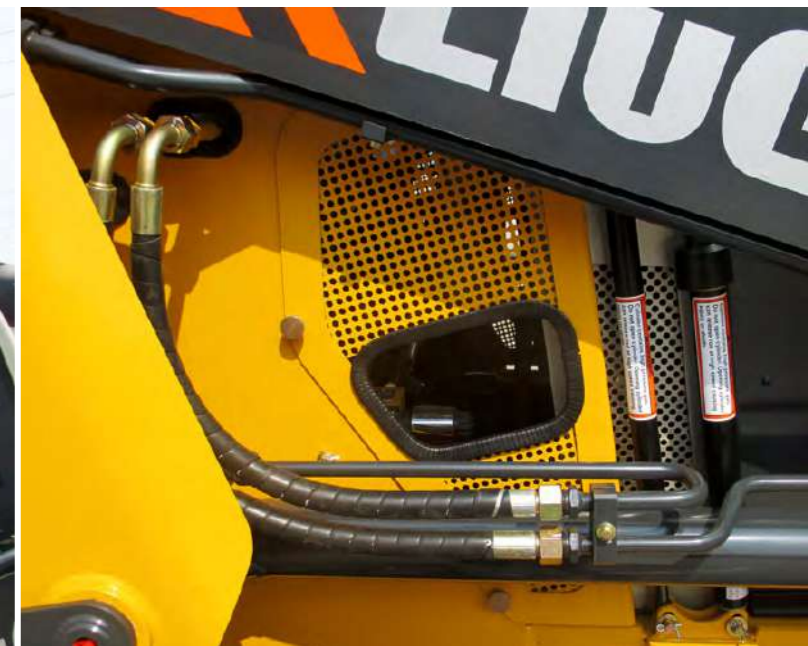
Operator can decide if it's necessary to fill the fuel tank by inspect the fuel meter.

If the front door is not closed, it will be showed on the instrument.

Working time meter for operator to judge if the machine need to be maintained.

Water temperature meter for knowing if the engine is overheating.

Water temperature meter for knowing if the engine is overheating.



HIGHEST SAFETY STANDARDS

ROPS/FOPS cab.
2 inch Seat belt.
Fire extinguisher.
Hydraulic parking brake.
Safety sensors on front door.
Optional equipped with rear-view mirror and back-up alarm.
Optional rotating beacon is equipped on cab to alert people around machine.
Boom bumper.
Press & hold knob to lower lift arm with the engine stopped.

COMPLETE CUSTOMER CARE

The hydraulic pipes and electrical circuit are laid out to be easy to maintain and provide adequate space for inspection and maintenance.

The cab tilt back up to over 80 degrees to replace the engine oil filter and hydraulic oil filter.

Convenient for daily checking and servicing for hydraulic system.

Centralized placement of resistance boxes and relay of electrical system is. Easy to inspect and maintain.

When the engine hood is opened a lot of space for maintenance is available and parts are easy to access. Including

Replenishing diesel or hydraulic oil.

Replenishing engine oil and anti-freeze fluid.

Replacing the air filter.

Draining the fuel water separator.

The suction cooling system for powerful cooling.

SPECIFICATIONS

ENGINE	
Emission Regulation	EPA Tier 4F & EU Stage IIIB
Make	Yanmar
Model	4TNV98C
Gross Power	49.9 kW (67 hp) @ 2,400 rpm
Peak Torque	241N · m @ 1,625 rpm
Number of Cylinders	4
Displacement	3.3 L
Cooling Type	water

ELECTRICAL SYSTEM	
System Voltage	12 V
Alternator Output	85 amps

CHAIN TANK	
Drive Chain Size	80 HS

TIRES	
Ply Type	pneumatic
Tire Size	10-16.5
Ply Rating	8

HYDRAULIC SYSTEM		
System Type	open	
Standard Flow	69 L/min	
Optional High Flow	107L/min	
Traveling Hydrostatic Pressure	35 MPa	
Working Hydrostatic Pressure	20.7 MPa	
Hydraulic Cycle Time, total	7.9 s	
Raise	Dump	Lower (float down)
3.9 s	1.9 s	2.1 s

OPERATING WEIGHT	
Operating Weight	3,100 kg

PERFORMANCE	
Static Tipping Load	1,886 kg
Rated Load	865 kg
Boom Breakout Force	18.8 kN
Bucket Breakout Force	20.8 kN
Dump Clearance at Full Height Discharge	2,220 mm
Dump Reach at Full Height Discharge	540 mm
Maximum Dump Angle at Full Height	40°
Maximum Hinge Pin Height	2,923 mm
Bucket Rollback at Ground Level	30°
Ground Clearance	204 mm
Angle of Departure	26°
Front Clearance Radius With Bucket	1,800 mm

SERVICE CAPACITIES	
Fuel Tank	100 L
Engine Oil	9 L
Cooling System	13 L
Hydraulic Reservoir	52 L
Hydraulic System Total	70 L
Chain Tanks, Each	8 L

STANDARD EQUIPMENT	
General Bucket -0.4 m³	
Control Safety Interlock	
Boom Interlock	
Quick Coupler	
Enclosed ROPS/FOPS Cab with AC	
Single Speed Motor	Max. Travel Speed 11km/h

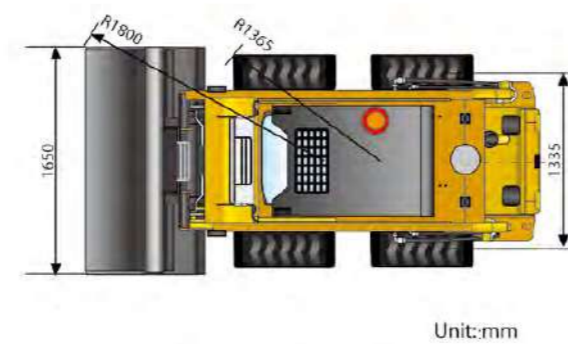
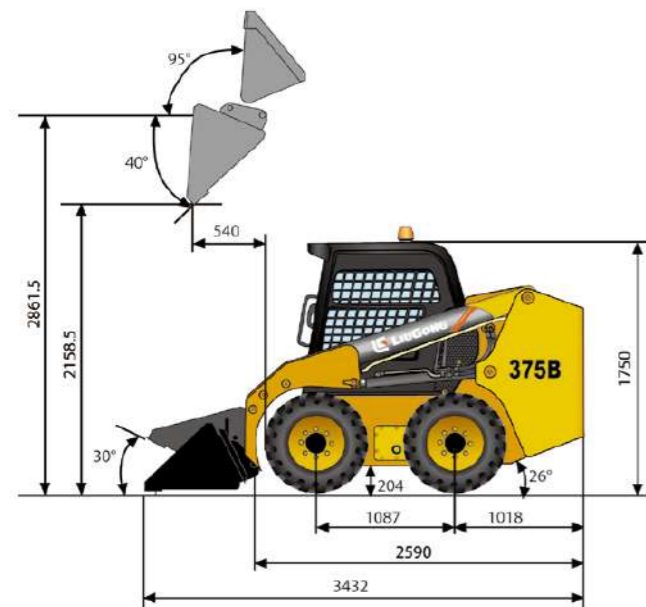


OPTIONAL EQUIPMENT

- Solid Tire
- Tire Chains
- Herter
- Optional Counterweight
- Foot Throttle

OPTIONAL ATTACHMENTS

- 4 in 1 Bucket – 0.4 m³
- Rock Bucket – 0.4 m³
- Scrap Bucket – 350 mm to 650 mm
- Hydraulic Hammer
- Auger



	Flow	375B	385B
4 in 1 Bucket	Std		
- 0.4 m ³		•	•
- 0.45 m ³		•	•
Arc Bucket	Std	•	•
Auger	High	•	•
- wear resistant drill pipe		•	•
- rock drill pipe		•	•
Broom	High	•	•
- angle		•	•
- pick-up		•	•
Brushcutter	Std	•	•
- working width 66 inch		•	•
- working width 72 inch		•	•
Cold Plander	High	•	•
Backhoe	Std		
- single arm		•	•
Farm Fork	Std	•	•
General Bucket	Std		
- 0.4 m ³		•	•
- 0.45 m ³		•	•
Grapple Bucket	Std	•	•
Hydraulic Hammer	Std	•	•
Material Handling Arm	Std	•	•
Mixer	Std		
- 0.1 m ³		•	•
- 0.2 m ³		•	•
Pallet Fork	Std	•	•
Rock Bucket	Std	•	•
Snow Blade	Std	•	•
Snow Blower	High	•	•
Trencher	High	•	•
Vibratory Drum Compactor	High		
- working width 66 inch		•	•
- working width 72 inch		•	•